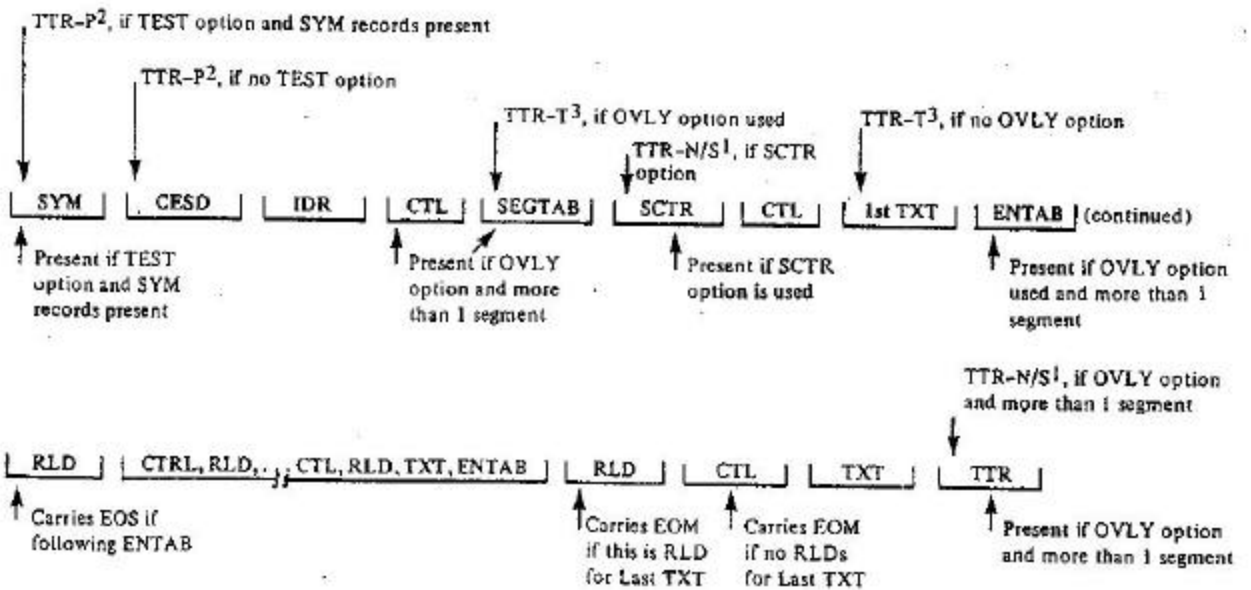
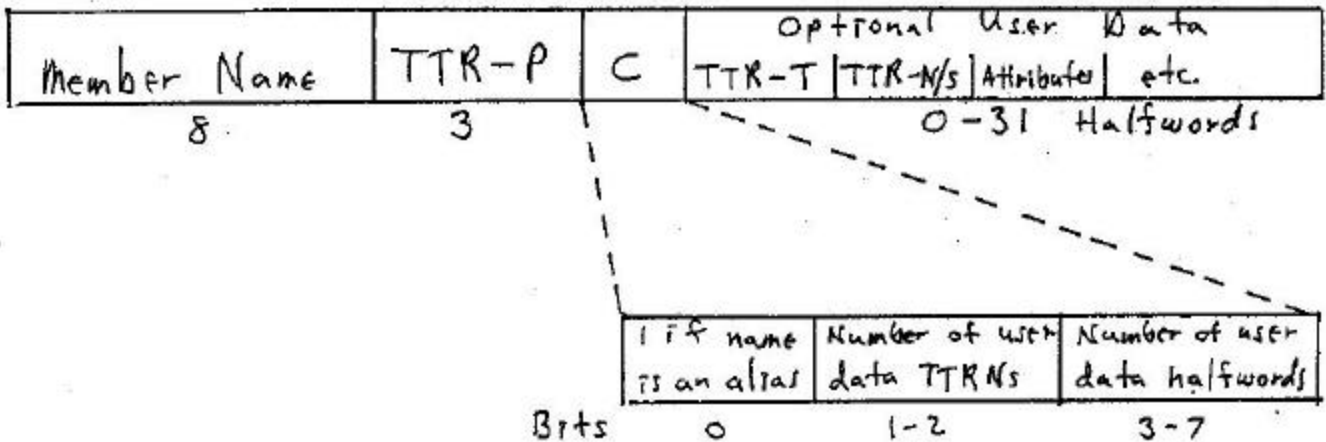


APPENDIX G: LOAD MODULE FORMAT

The format of a load module built by the linkage editor is shown in Figure 74.

In writing the output load module to the SYSLMOD data set, the linkage editor does not use the track overflow feature. When moving or copying load modules, it is recommended that the track overflow feature not be used on the target data set, as errors may occur in fetching the load modules for execution.

Load Module PDS Directory Entry Format



- ¹TTR-N/S: TTR of the note list or scatter/translation table. Used for modules in scatter load format or overlay structure only.
- ²TTR-P: TTR of the first block of the named member (load module).
- ³TTR-T: TTR of the first block of text.

Figure 74. Load Module Format